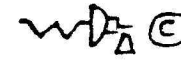
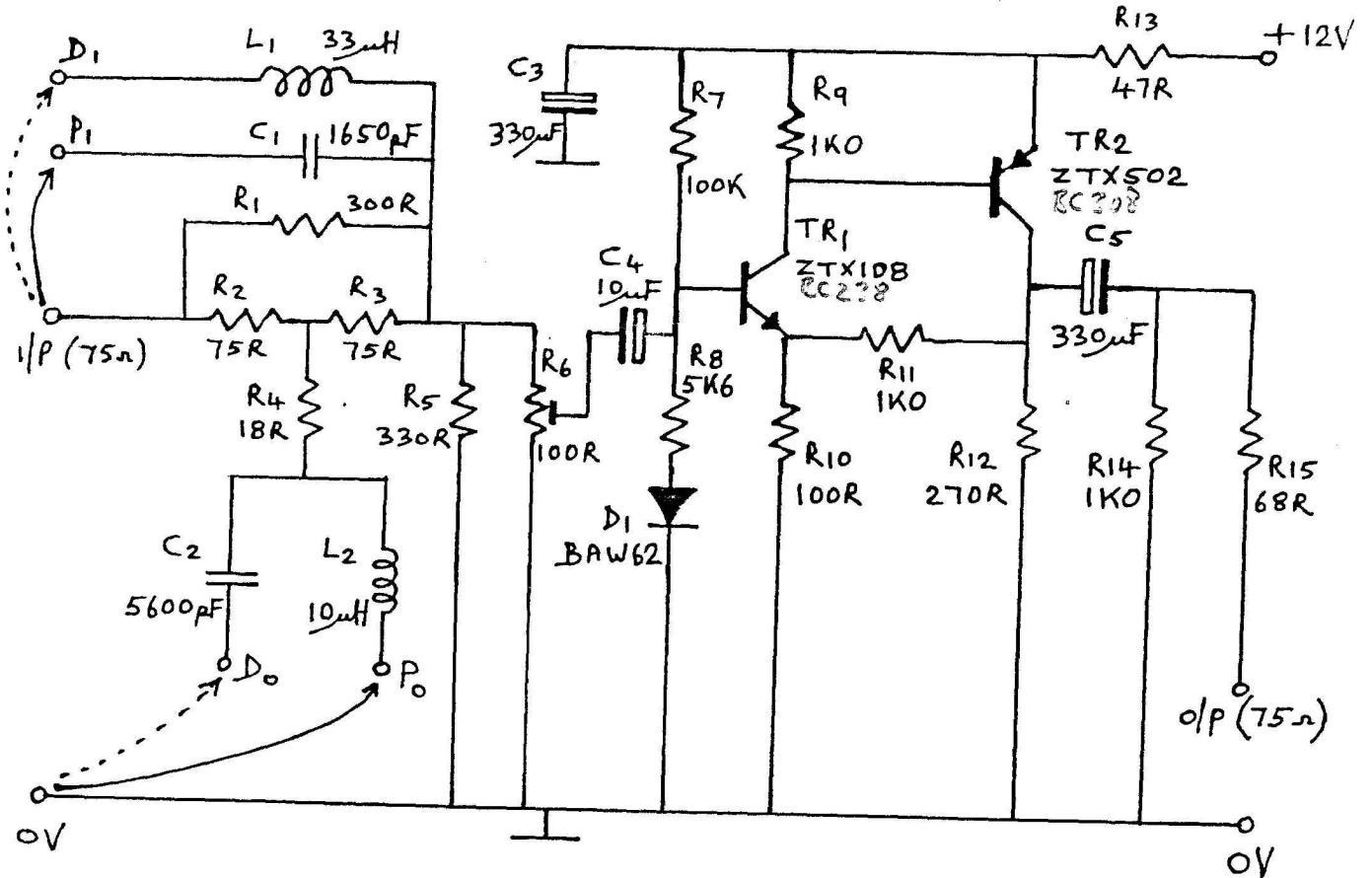


VP/D1: video pre-emphasis/de-emphasis  © 1985



pre-emphasis: link i/p to P<sub>1</sub>, 0V to P<sub>0</sub>  
 de-emphasis: link i/p to D<sub>1</sub>, 0V to D<sub>0</sub>

i/p network gives 14dB attenuation at LF for pre-emphasis  
 or 14dB attenuation at HF for de-emphasis  
 o/p amplifier gives up to 14dB gain

