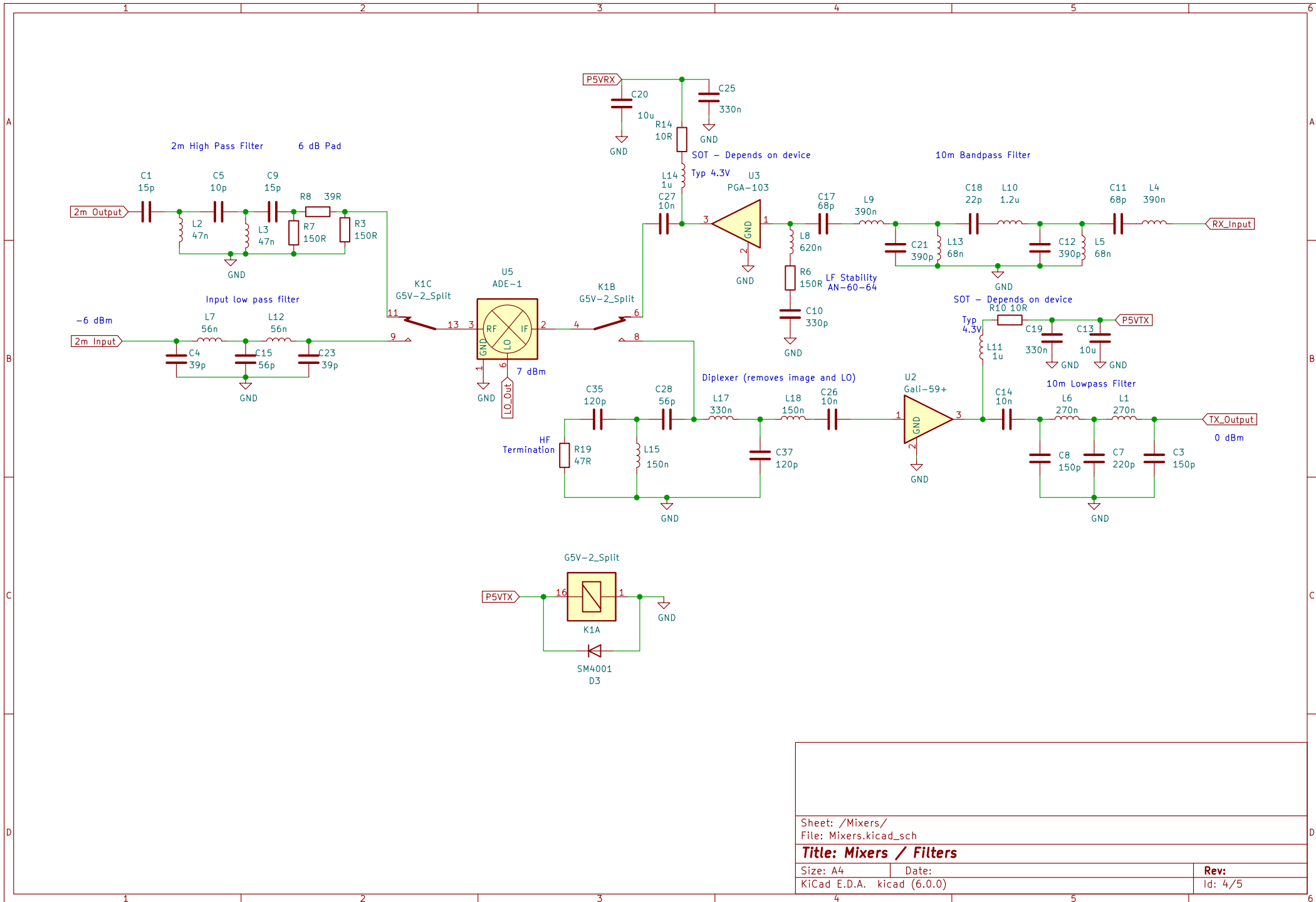


Sheet: /Power/
 File: Power.kicad_sch

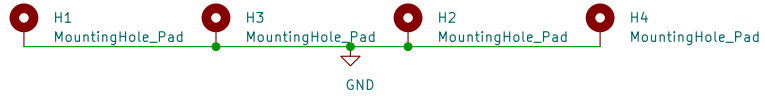
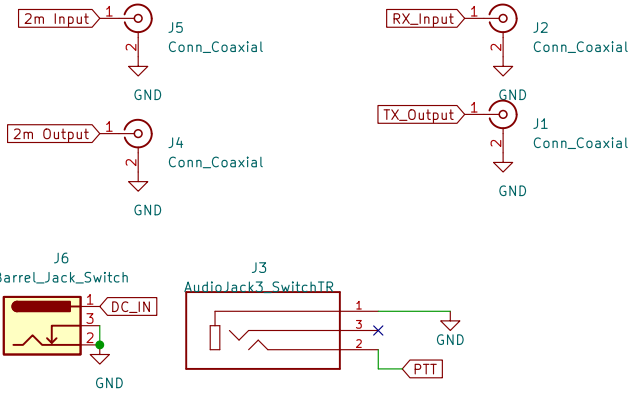
Title: Power

Size: A4 Date:
 KiCad E.D.A. kicad (6.0.0)

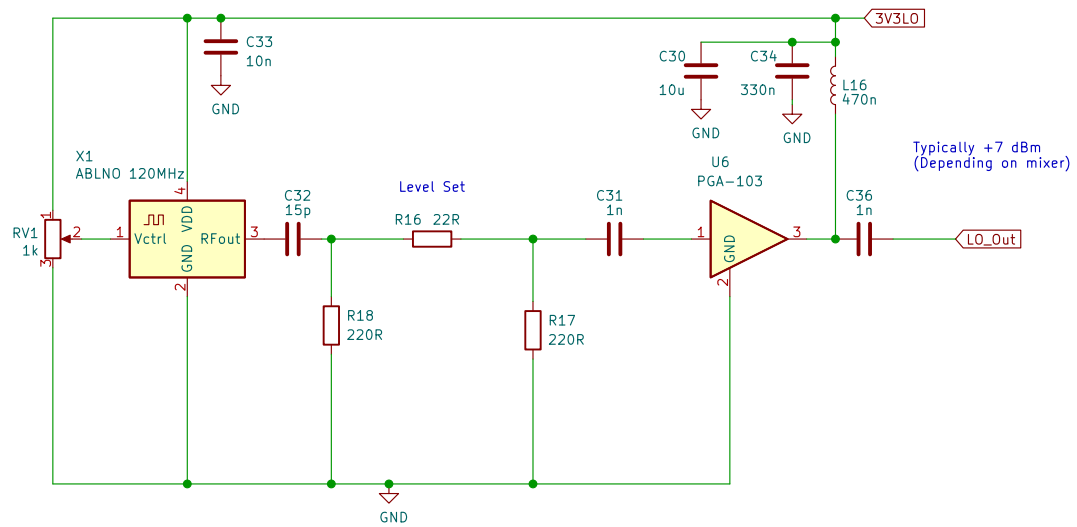
Rev:
 Id: 2/5



Sheet: /Mixers/	
File: Mixers.kicad_sch	
Title: Mixers / Filters	
Size: A4	Date:
KiCad E.D.A. kicad (6.0.0)	Rev: Id: 4/5



Sheet: /Mechanicals/		Date:	
File: Mechanical.kicad_sch		Rev:	
Size: A4	KiCad E.D.A. kicad (6.0.0)		Id: 5/5



Sheet: /Local Oscillator/
File: LO.kicad_sch

Title: Local oscillator

Size: A4
KiCad E.D.A. kicad (6.0.0)

Date:

Rev:
Id: #/5