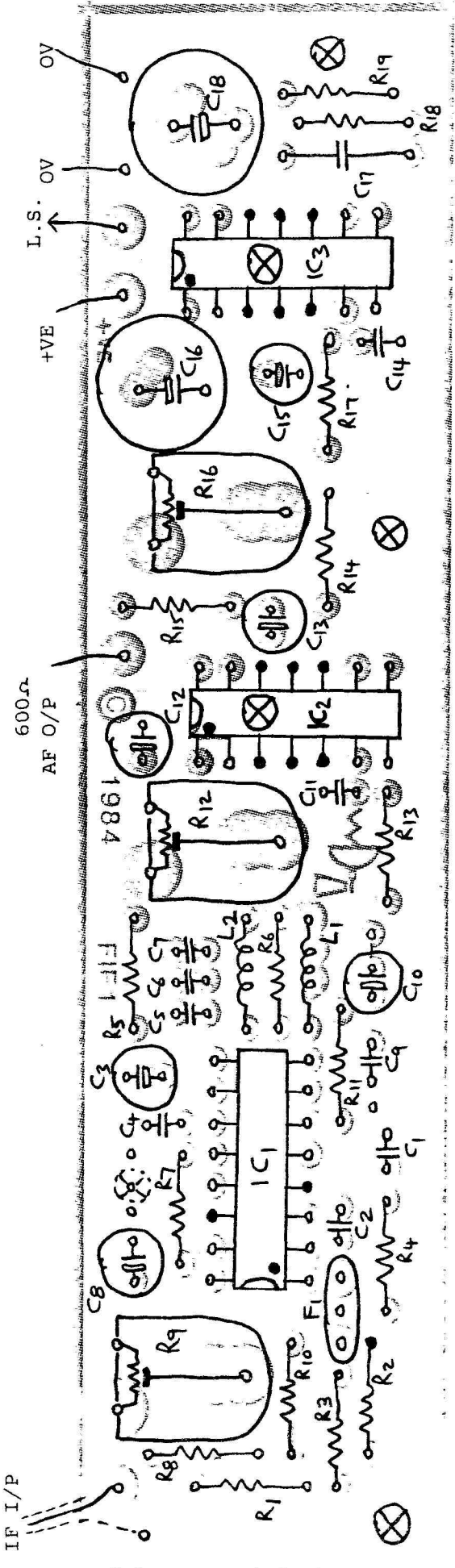


- Solder Both Sides
- - - Solder Track Side



FIF1 Layout