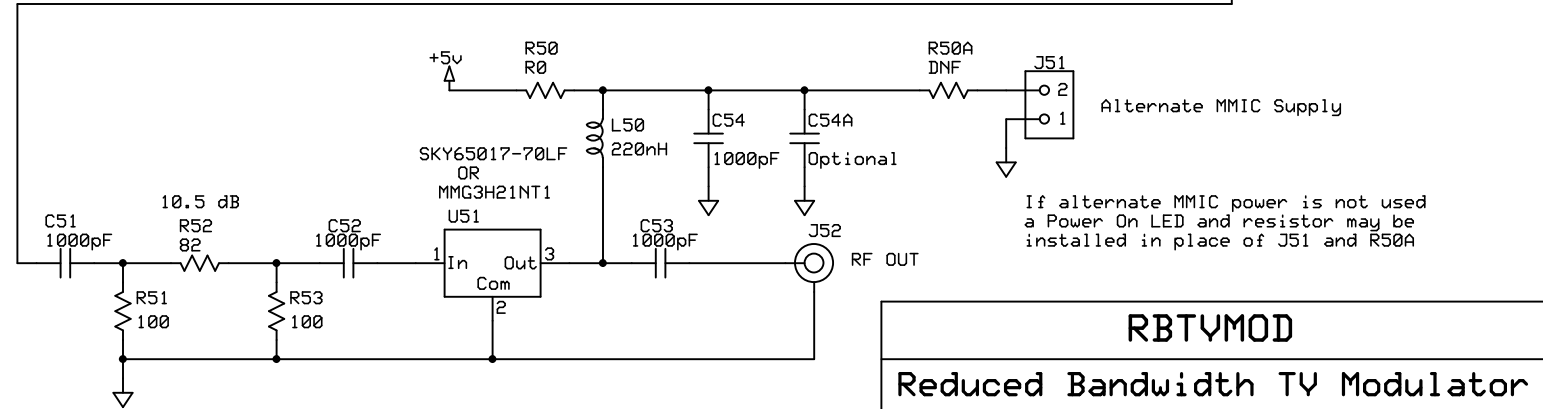


AD8345  
R33,34 DNF  
R35,36 0R  
R37,38 6340

AD8346  
R33,34 1K  
R35,36 665R  
R37,38 3300



<b>RBTVMOD</b>		
<b>Reduced Bandwidth TV Modulator</b>		
J0	Rev 3.0	Page 3 of 3
	25/NOV/2016	