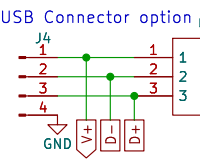




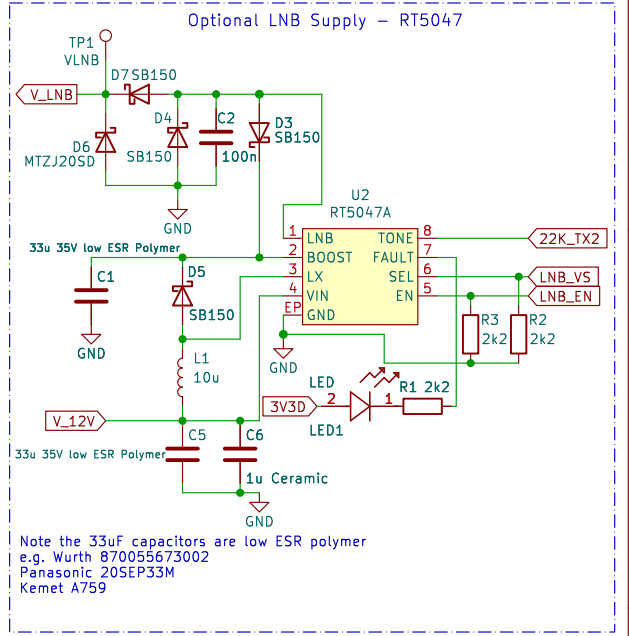
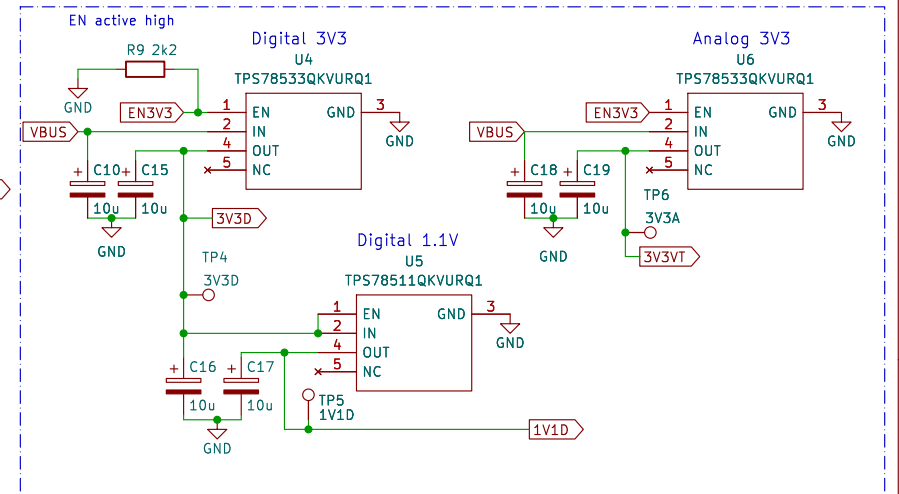
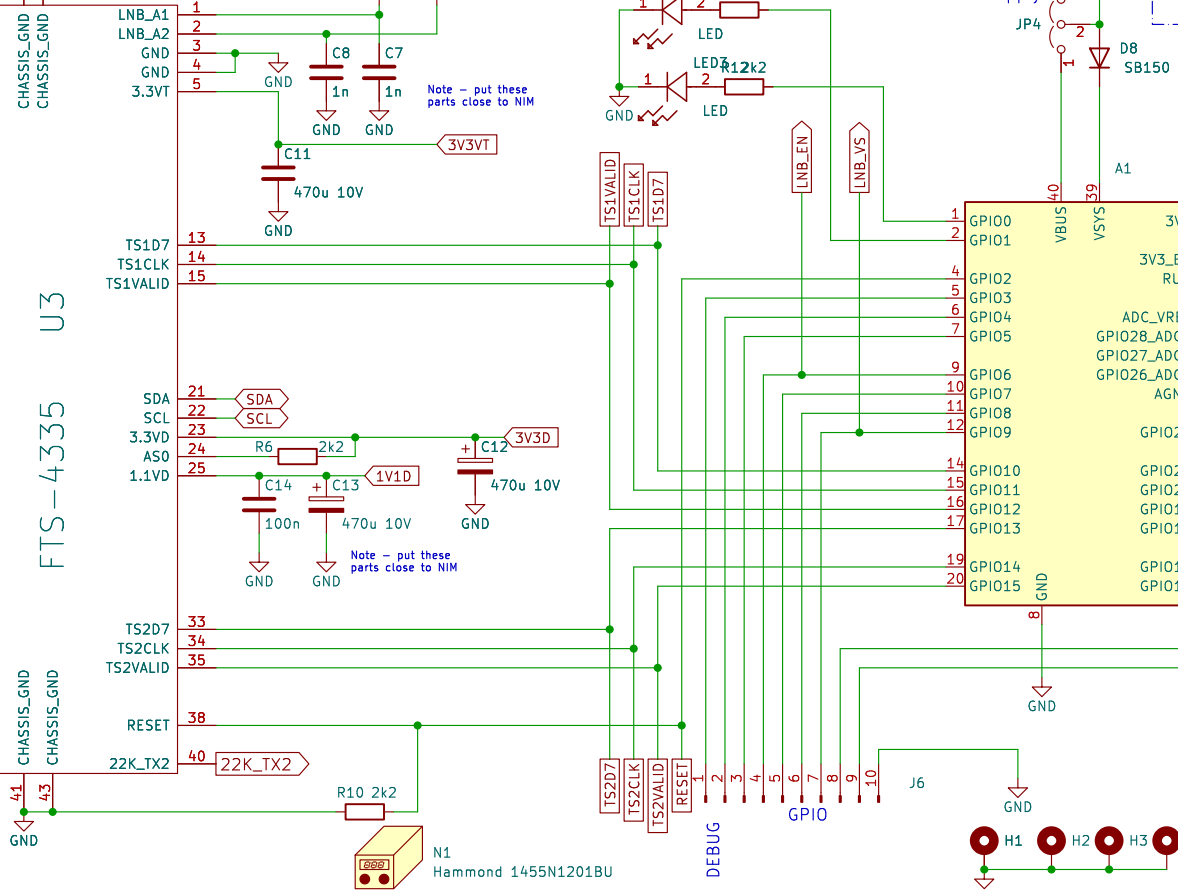
ALT supply (only required if not USB powered)



12V Header

LNB Supplies

Select USB or external supply



Drawn by G0MJW
BATC
 Sheet: /
 File: PicoTunerFinal.kicad_sch
Title: PicoTuner
 Size: A4 Date: 2024-03-26
 KiCad E.D.A. kicad 7.0.2
 Rev: 4 1.0
 Id: 1/1