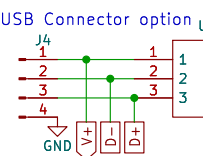




ALT supply (only required if not USB powered)

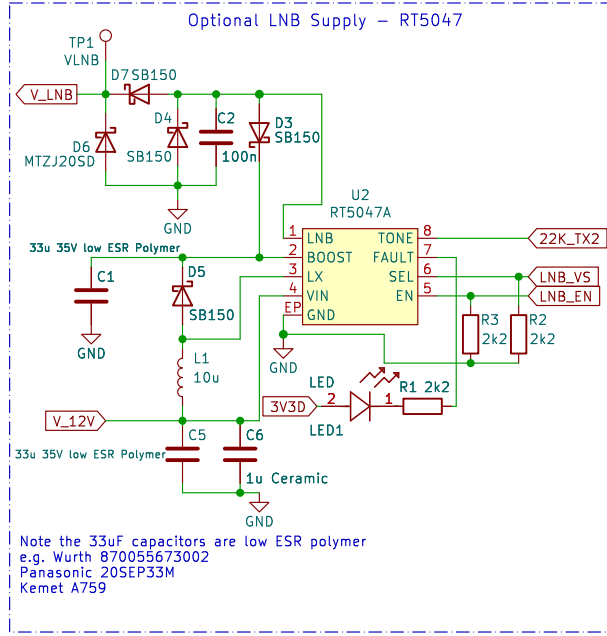
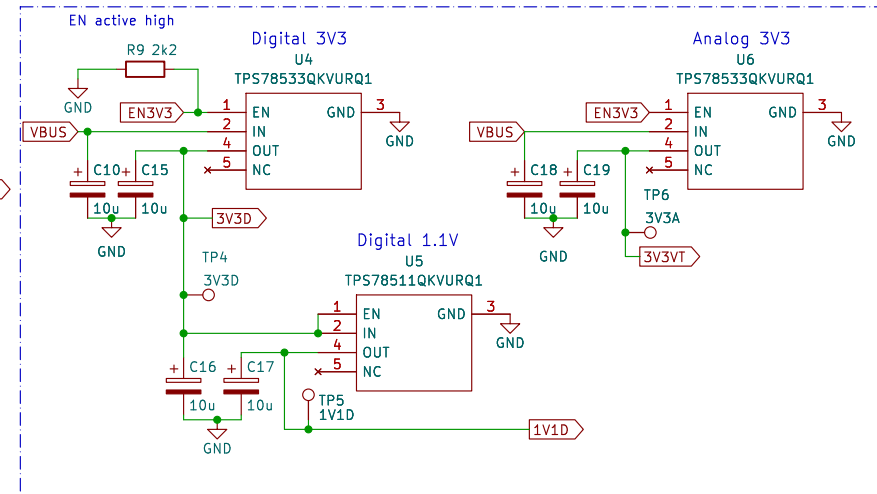
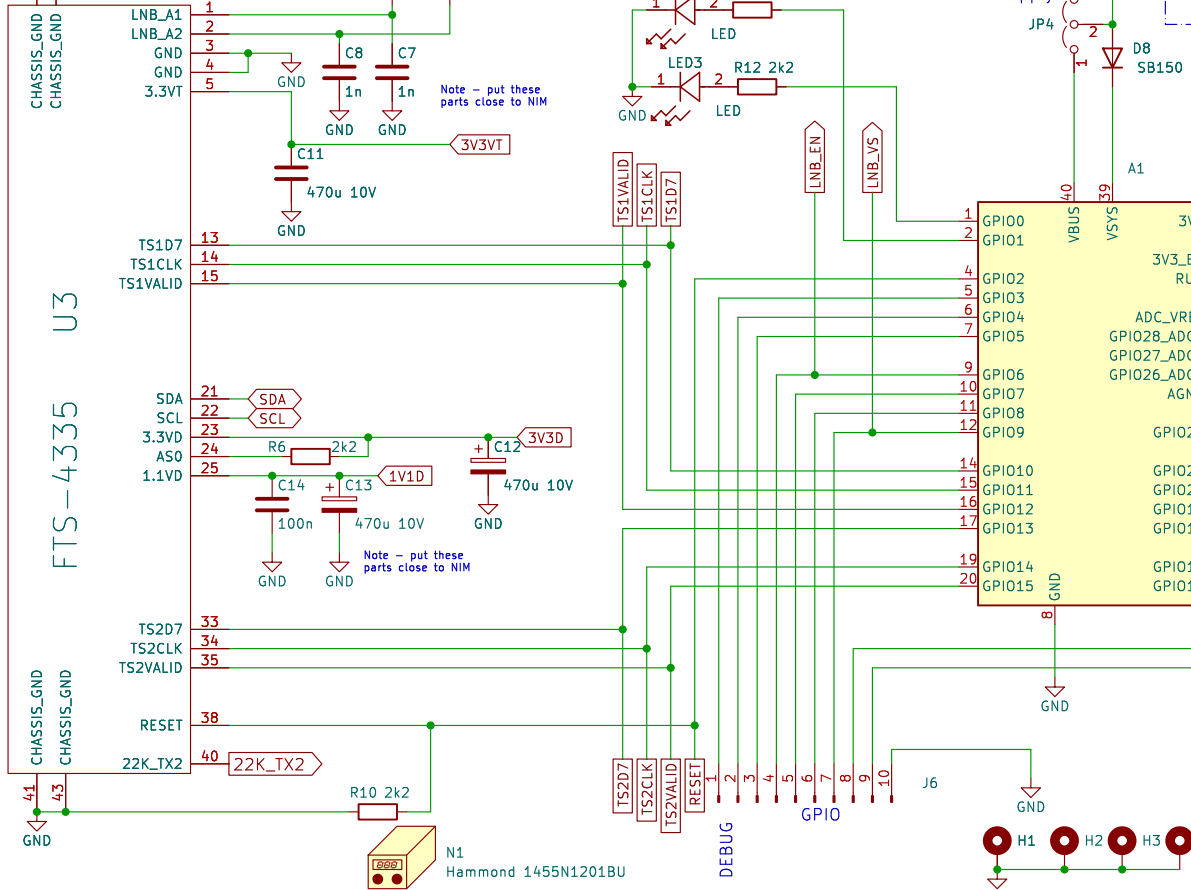


12V Header

LNB Supplies

Select USB or external supply

Optional LNB Supply - RT5047



Drawn by G0MJW  
**BATC**  
 Sheet: /  
 File: PicoTunerFinal.kicad\_sch  
**Title: PicoTuner**  
 Size: A4 Date: 2024-03-28  
 KiCad E.D.A. kicad 7.0.2  
 Rev: 4 1.0  
 Id: 1/1