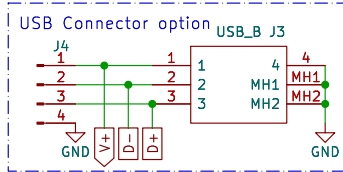




ALT supply (only required if not USB powered)

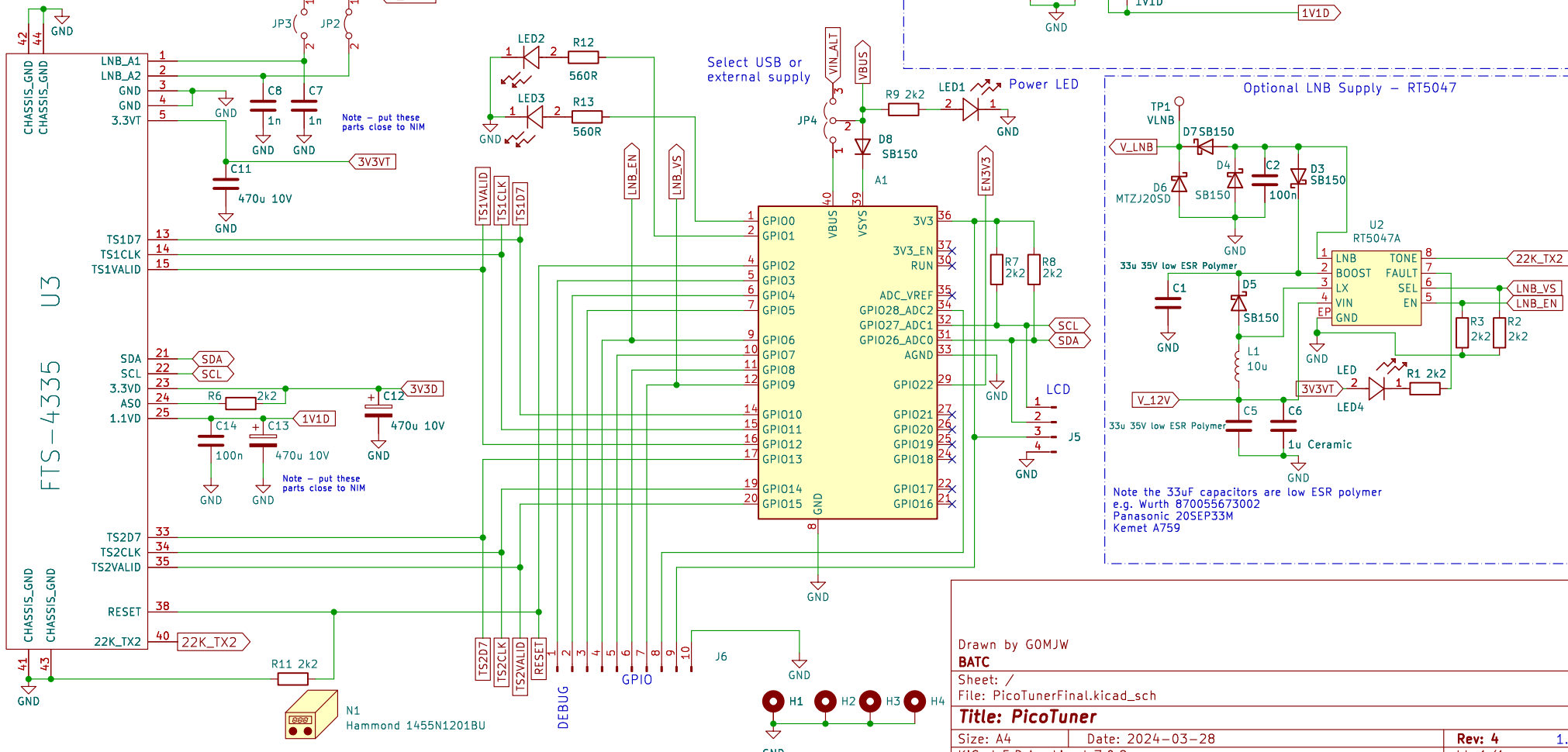


12V Header

LNB Supplies

Select USB or external supply

Optional LNB Supply - RT5047



Drawn by GOMJW	
BATC	
Sheet: /	
File: PicoTunerFinal.kicad_sch	
<b>Title: PicoTuner</b>	
Size: A4	Date: 2024-03-28
KiCad E.D.A. kicad 7.0.8	Rev: 4 1.0
	Id: 1/1