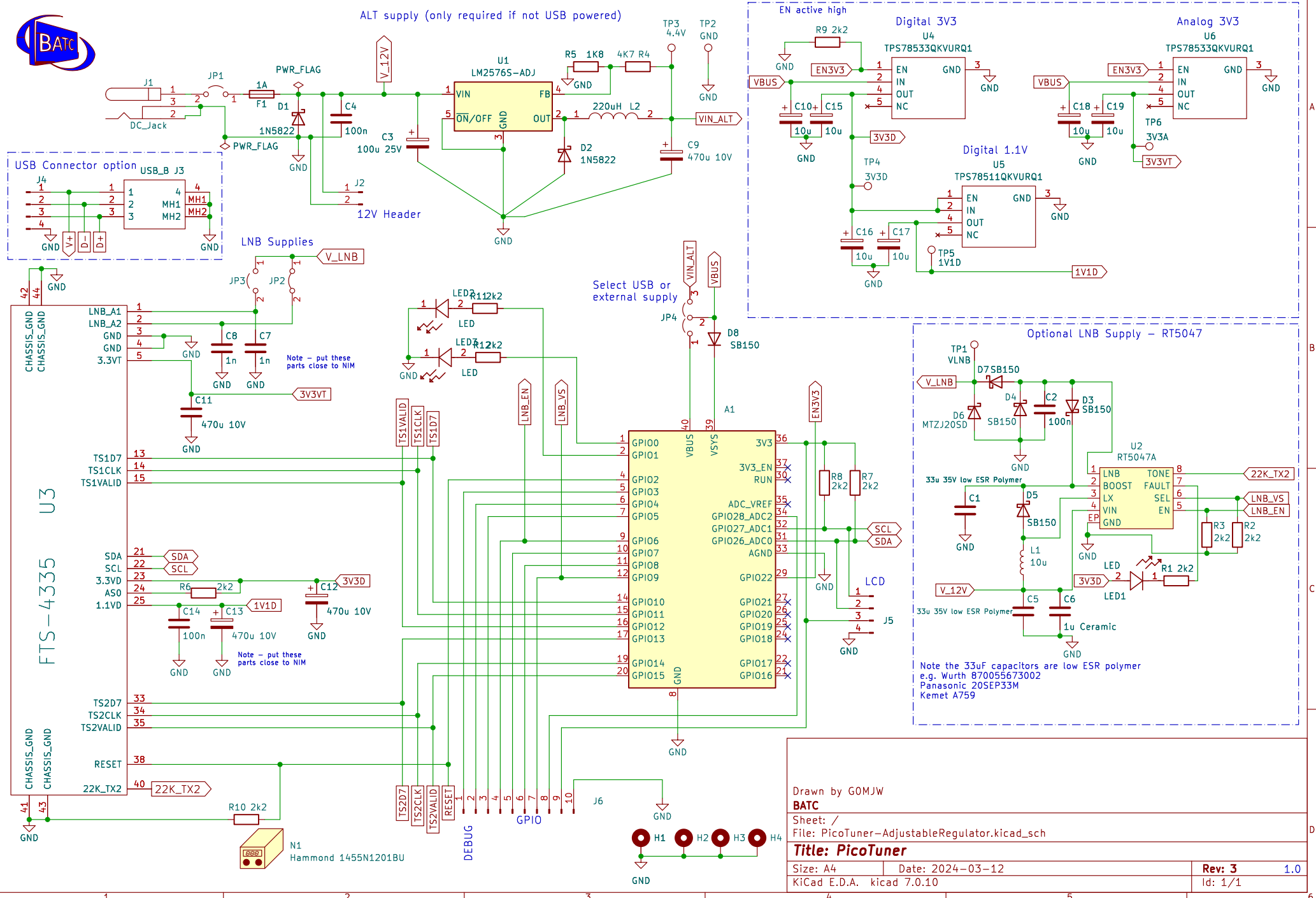




ALT supply (only required if not USB powered)



Drawn by GOMJW

BATC

Sheet: /

File: PicoTuner-AdjustableRegulator.kicad\_sch

**Title: PicoTuner**

Size: A4

Date: 2024-03-12

Rev: 3 1.0

KiCad E.D.A. kicad 7.0.10

Id: 1/1